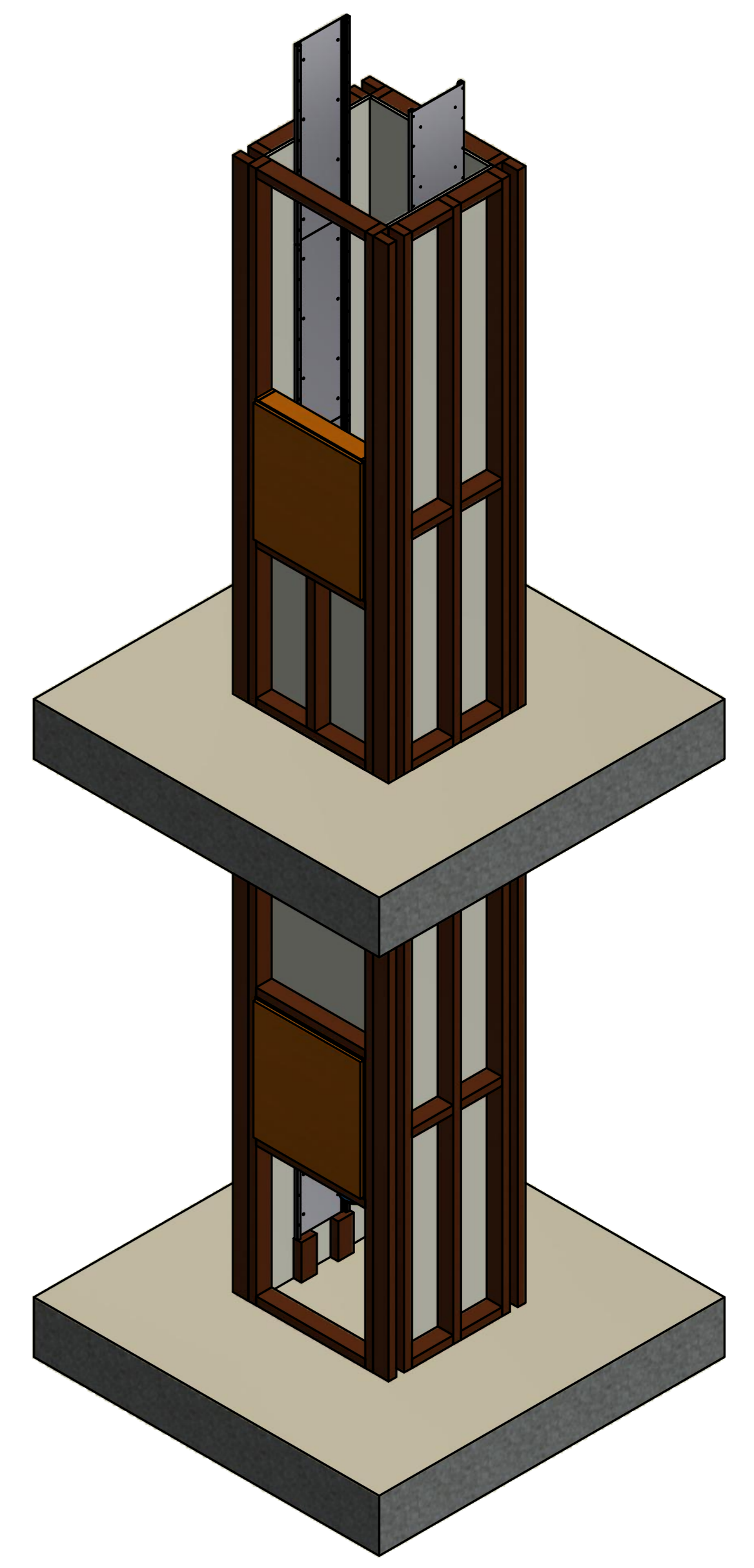


FLOOR LEVEL 2

FLOOR LEVEL 1

PLEASE REFER:
- SHEET 2 OPTION FOR SINGLE HINGED DOOR DETAILS;

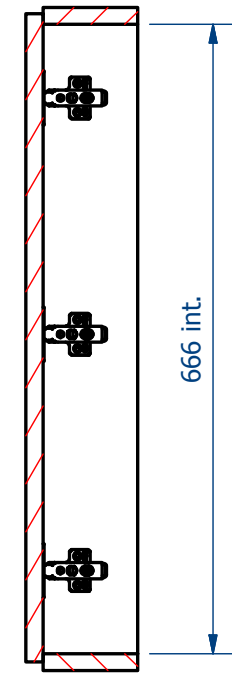
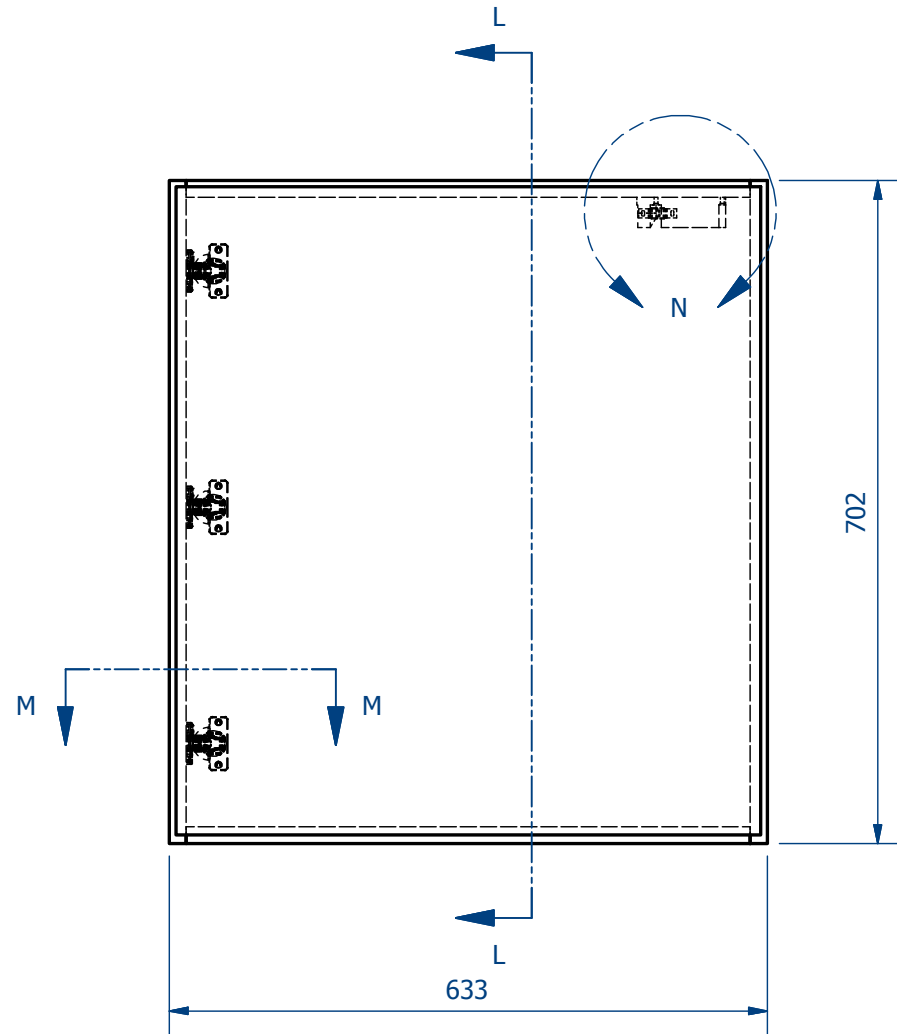
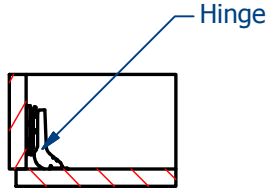


1. SHAFT TOLERANCES ARE ± 5 mm PLUMB AND SQUARE
2. BUILDER TO SUPPLY AND INSTALL AS NEW CONDITION FORMRITE. FIXING SCREWS EVERY 200 mm ON STUDS.
3. FORMRITE TO RUN CONTINUOUSLY FROM TOP TO BOTTOM.
4. CEILING OF SHAFT TO BE LINED.
5. BUILDER TO SHEET EXTERNAL SURFACES AND FIT REMOVABLE DOOR JAMS AND SUPPLY DOORS TO SUIT AESTHETICS.

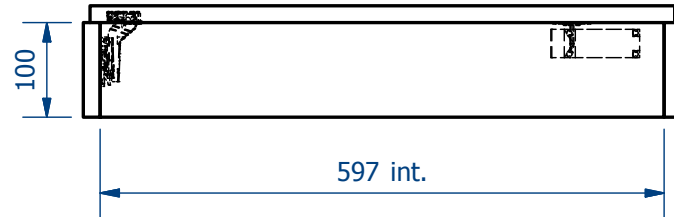
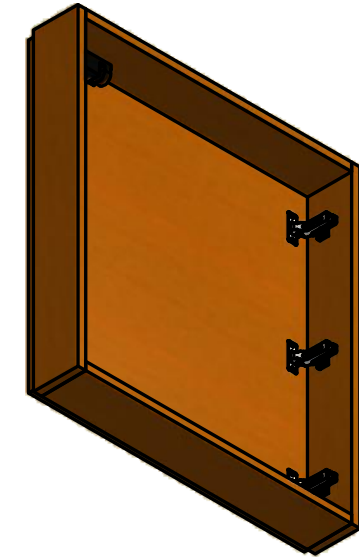
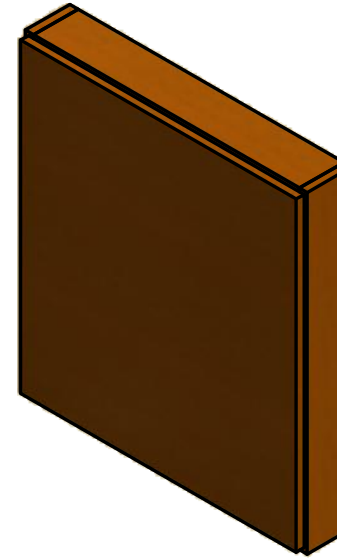
REVISION HISTORY				
ZONE	REV	DESCRIPTION	DATE	APPROVED
E4	1	WAS 689	29/01/2015	FB

A/V Lifts Australia Pty Ltd Unit 2, 200 Boundary Road, Braeside, Victoria, 3195, Australia Tel. 613 9590 9091 Fax: 613 8625 0017		Standard DW-40 Stud Shaft Installation PROJECT:		Job No:
<small>THIS DRAWING, INCLUDING INFORMATION SHOWN THEREIN, IS CONFIDENTIAL AND IS THE EXCLUSIVE PROPERTY OF AV LIFTS AUSTRALIA. IT IS SUBJECT TO RETURN UPON DEMAND. IT IS LOANED TO A SUPPLIER FOR EXCLUSIVE USE BY THE SUPPLIER. REPRODUCTION, EXHIBITION, OR USE FOR ANY OTHER PURPOSE, OR BY ANY PERSON IS NOT AUTHORISED.</small>		DESIGNER: Fabrizio Battagliotti	DATE: 15/09/2014	CUSTOMER: AV LIFTS
DRAWN: FB	CHECKED:	MFG APPROVED:	DATE:	DRAWING No: 0006-009
THIRD ANGLE PROJECTION <small>DO NOT SCALE DIMENSIONS IN mm DRAFTING STANDARDS TO AS 1100</small>		TOLERANCES UNLESS SPECIFIED: 0 DEC. PL ± 0.5 1 DEC. PL ± 0.1 2 DEC. PL ± 0.05 ANGULAR ± 0.5°	SHEET 1 / 2	REV. 1
		MATERIAL:	PART No: 0006 Layout A DW-40	SHEET SIZE A2

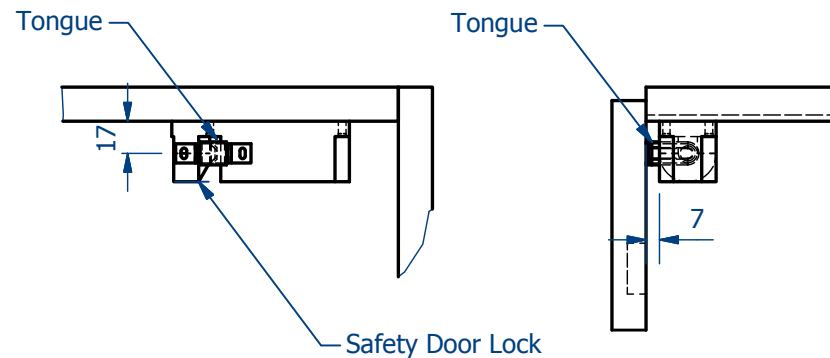
SECTION M-M
SCALE 1 / 8



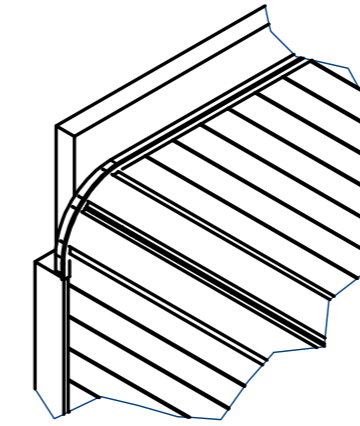
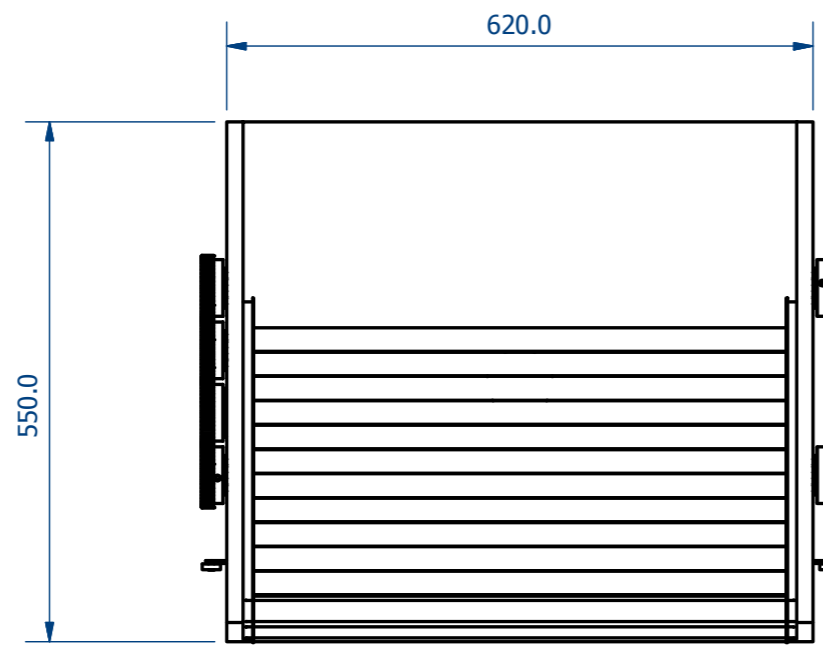
SECTION L-L
SCALE 1 / 8



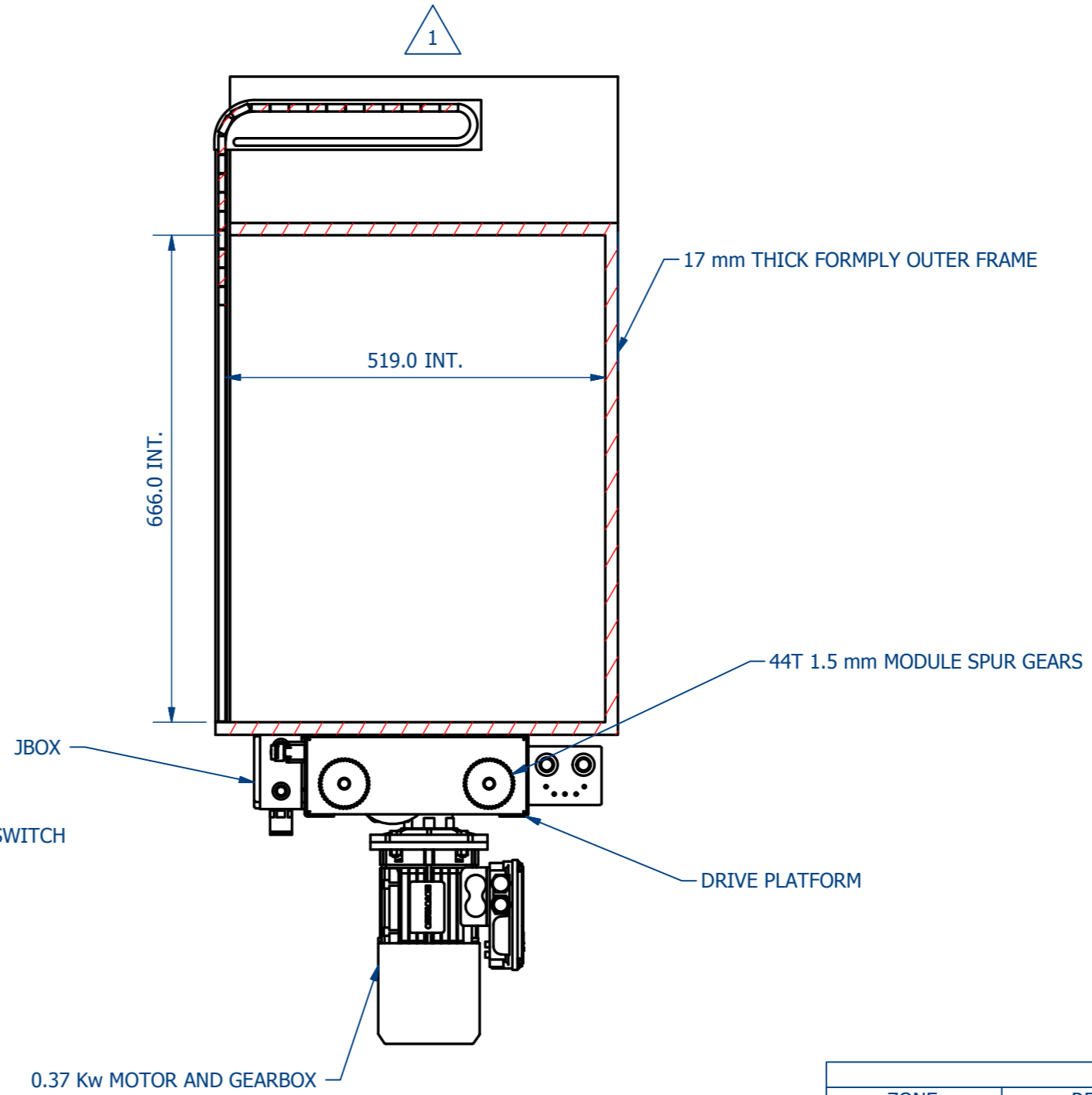
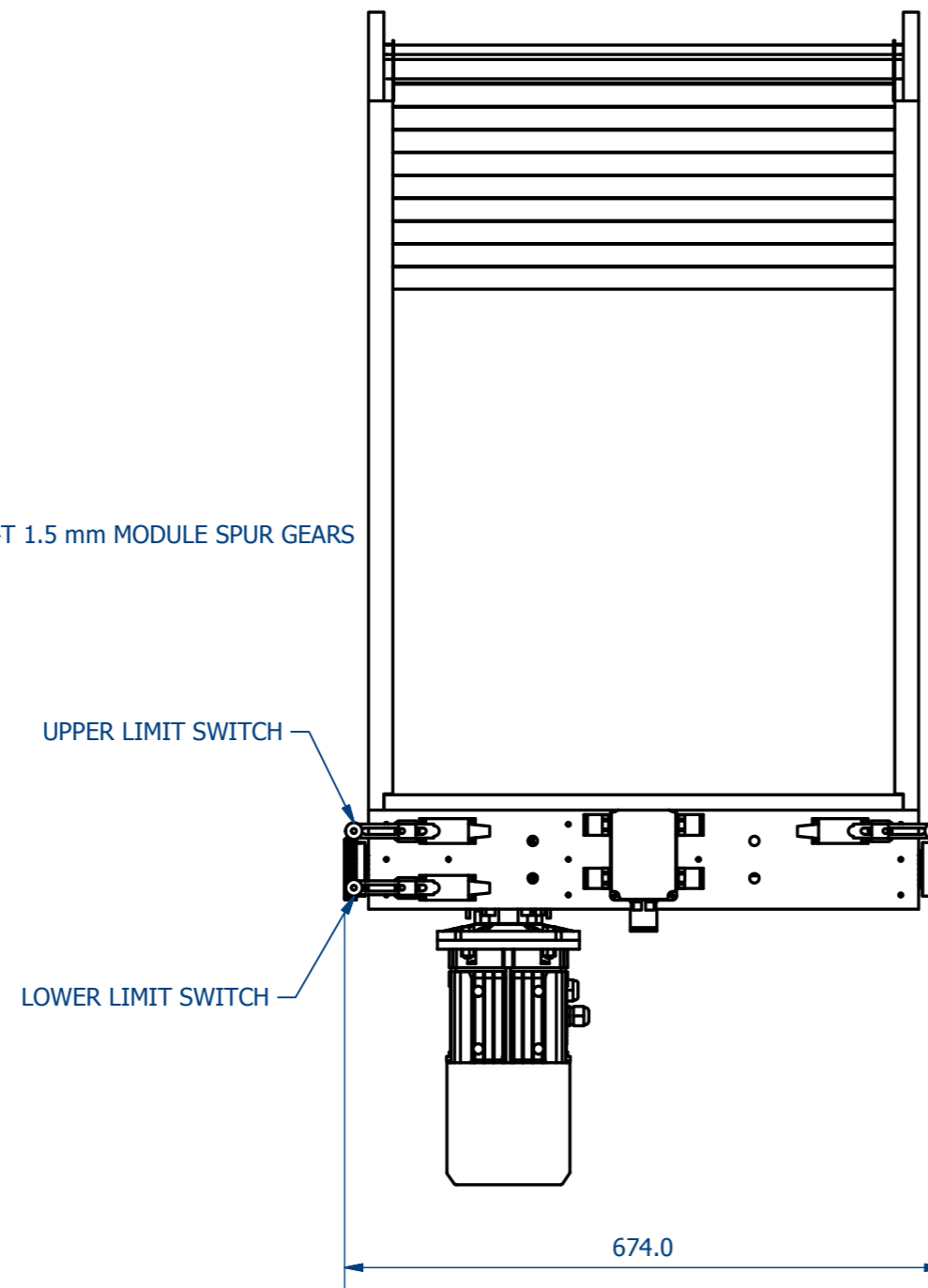
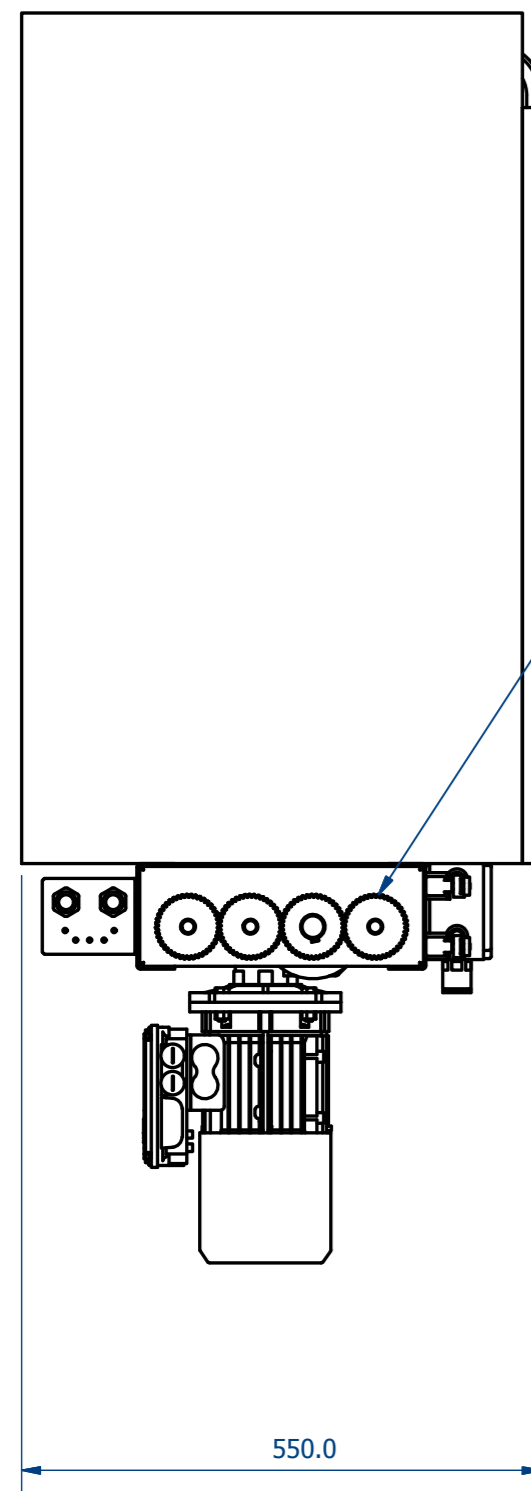
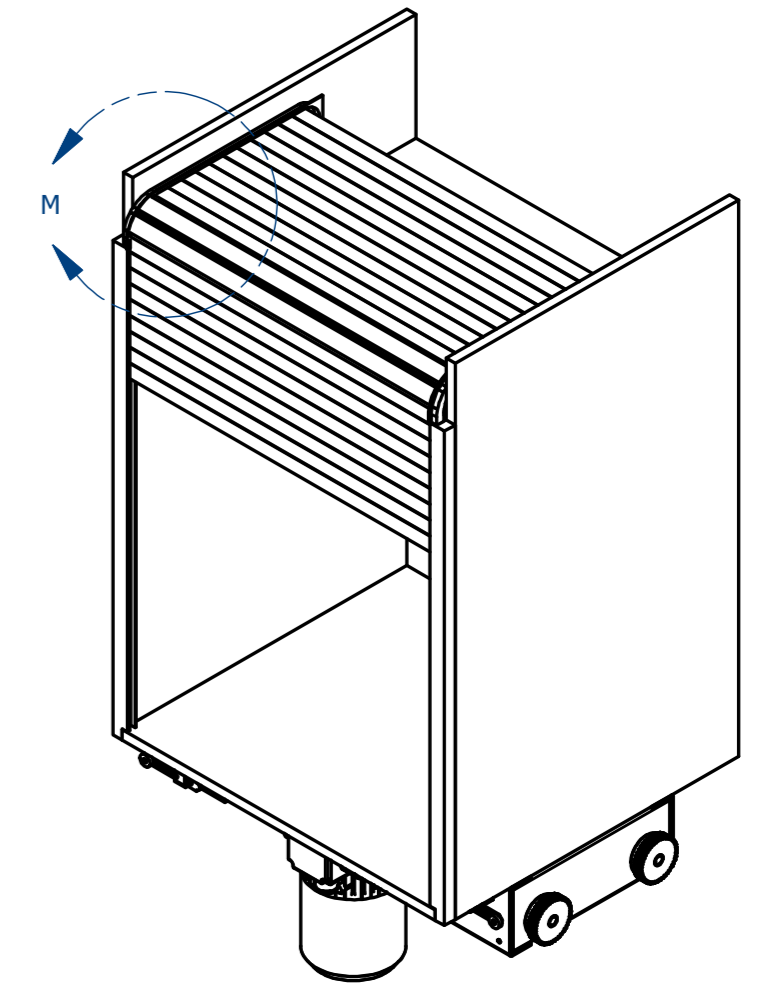
DETAIL N
SCALE 1 / 4



<p>AV Lifts Australia Pty Ltd Unit 2, 200 Boundary Road, Braeside, Victoria, 3195, Australia Tel. 613 9590 9091 Fax: 613 8625 0017</p>		<p>TITLE: Frame & Single Door for 40 Kg Car</p>			
		<p>PROJECT: DW40 Car</p>			
<p>THIS DRAWING, INCLUDING INFORMATION SHOWN THEREIN, IS CONFIDENTIAL AND IS THE EXCLUSIVE PROPERTY OF AV LIFTS AUSTRALIA. IT IS SUBJECT TO RETURN UPON DEMAND. IT IS LOANED TO A SUPPLIER FOR EXCLUSIVE USE BY THE SUPPLIER. REPRODUCTION, EXHIBITION, OR USE FOR ANY OTHER PURPOSE, OR BY ANY PERSON IS NOT AUTHORIZED.</p>	<p>DESIGNED: Fabrizio</p>	<p>DATE: 14/10/2014</p>	<p>CUSTOMER AV Lifts</p>	<p>SCALE</p>	
	<p>DRAWN: Fabrizio</p>	<p>CHECKED:</p>	<p>DATE:</p>	<p>DRAWING No 0006-009</p>	<p>SHEET 2 / 2</p>
	<p>MFG APPROVED:</p>	<p>DATE:</p>	<p>Material:</p>	<p>PART No 0004 Frame & Doors-04</p>	<p>REV.</p>
<p>THIRD ANGLE PROJECTION DO NOT SCALE DIMENSIONS IN mm DRAFTING STANDARDS TO AS 1100</p>	<p>Tolerance unless specified 0 DEC. PL. ± 0.5 1 DEC. PL. ± 0.1 2 DEC. PL. ± 0.05 ANGULAR ± 0.5</p>	<p>SHEET SIZE A3</p>		<p>Job No:</p>	



DETAIL M
SCALE 1 / 5



REVISION HISTORY				
ZONE	REV	DESCRIPTION	DATE	APPROVED
D3	1	Door guide	30/01/15	FB

A/V Lifts Australia Pty Ltd Unit 2, 200 Boundary Road, Braeside, Victoria, 3195, Australia Tel. 613 9590 9091 Fax: 613 8625 0017		40 Kg Standard Car PROJECT:		Job No:
THIS DRAWING, INCLUDING INFORMATION SHOWN THEREIN, IS CONFIDENTIAL AND IS THE EXCLUSIVE PROPERTY OF AV LIFTS AUSTRALIA. IT IS SUBJECT TO RETURN UPON DEMAND. IT IS LOANED TO A SUPPLIER FOR EXCLUSIVE USE BY THE SUPPLIER. REPRODUCTION, EXHIBITION, OR USE FOR ANY OTHER PURPOSE, OR BY ANY PERSON IS NOT AUTHORISED.		DESIGNER: Fabrizio Battagliotti	DATE: 3/10/2014	CUSTOMER:
DRAWN: Fabrizio Battagliotti	CHECKED:	DATE:	DATE:	SCALE:
MFG APPROVED:	DATE:	DRAWING No AVL-050	SHEET 1 / 1	REV. 1
THIRD ANGLE PROJECTION <small>DO NOT SCALE DIMENSIONS IN mm DRAFTING STANDARDS TO AS 1100</small>		TOLERANCE UNLESS SPECIFIED: 0 DEC. PL. ± 0.5 1 DEC. PL. ± 0.1 2 DEC. PL. ± 0.05 ANGULAR ± 0.5°	Material:	PART No AVL DW-40 Car ASSY
SHEET SIZE A2				